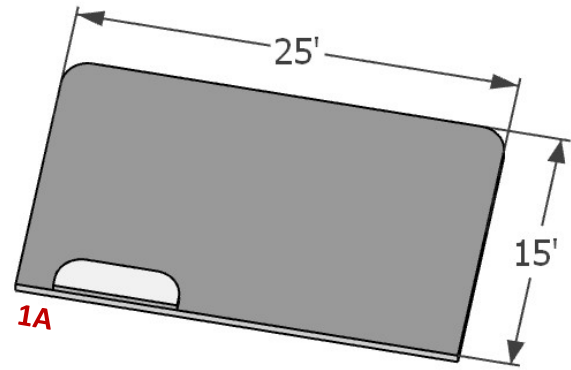
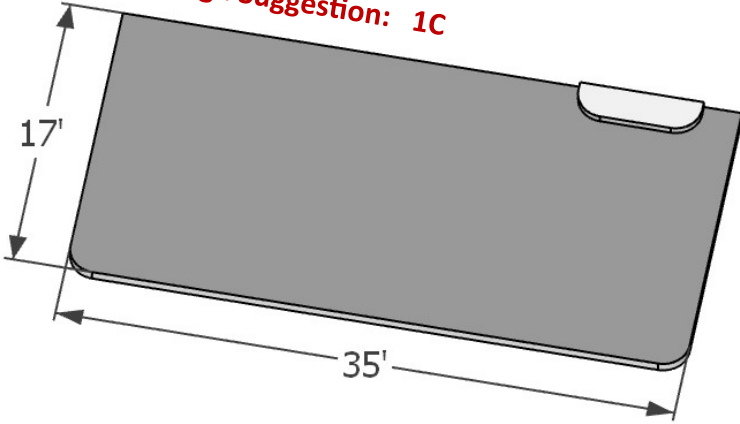
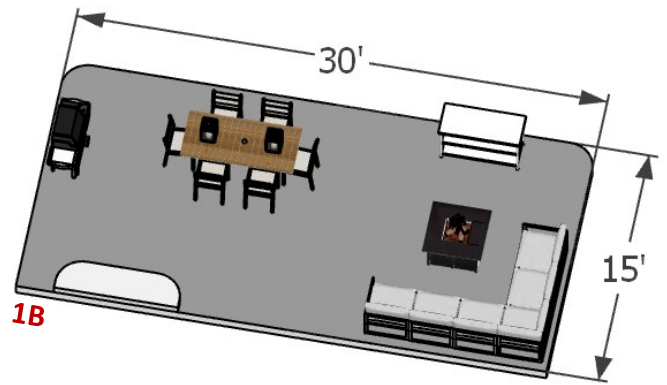
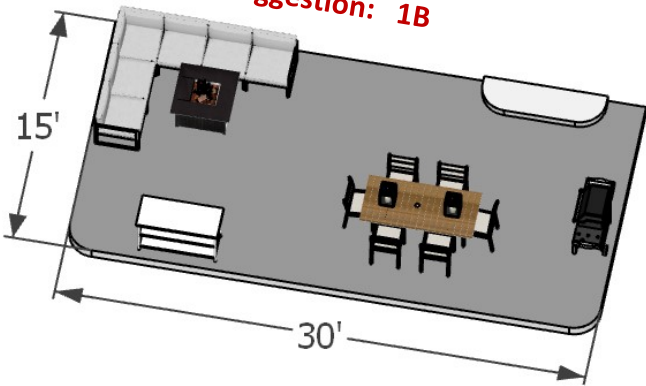


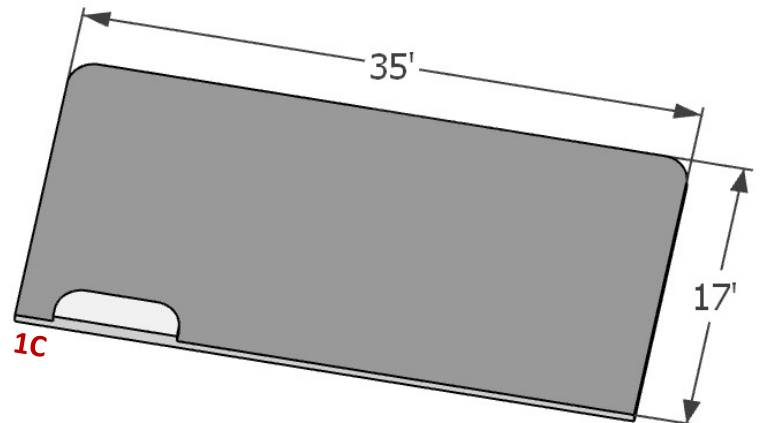
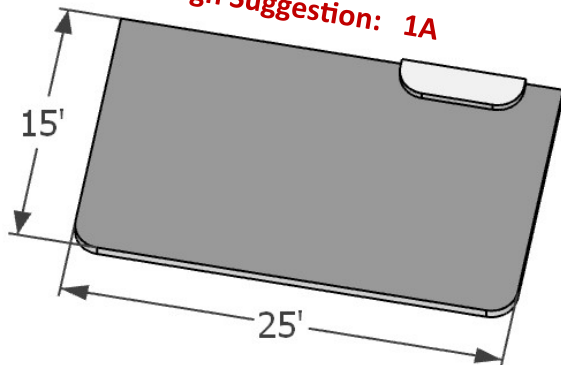
★ Design Suggestion: 1C

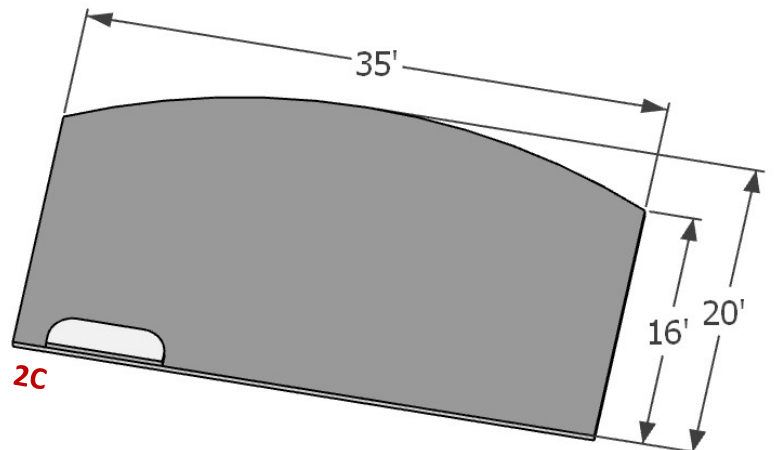
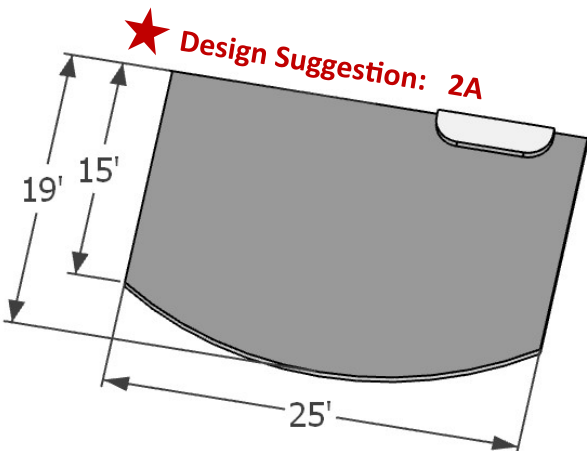
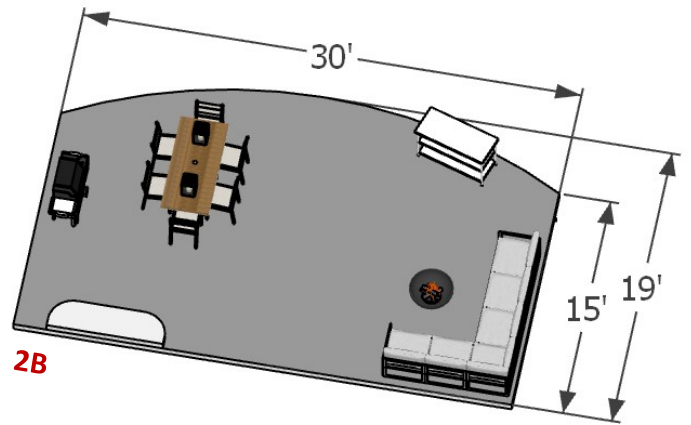
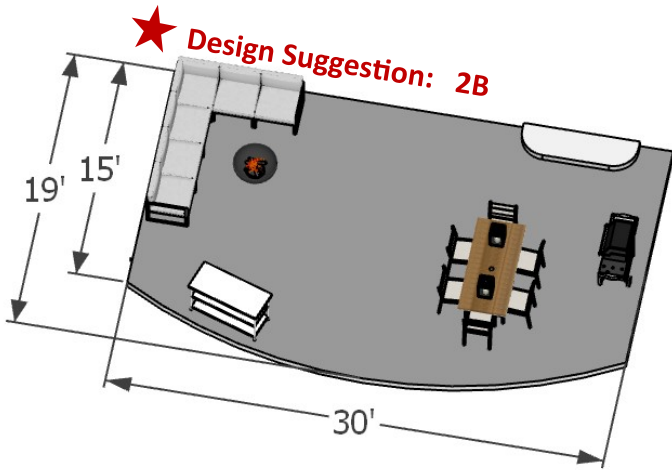
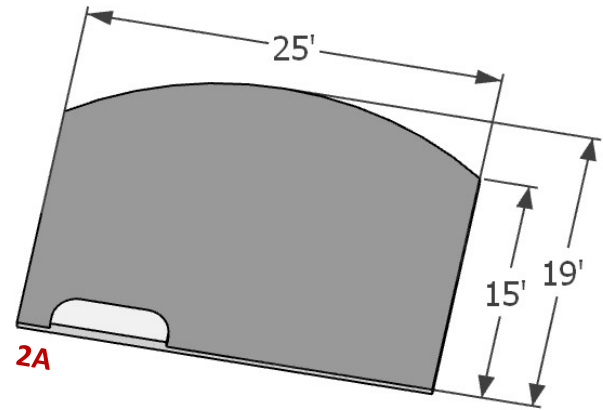
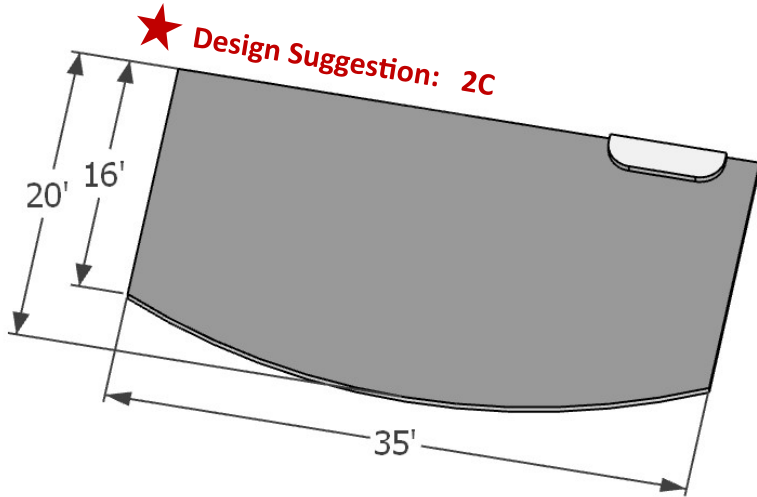


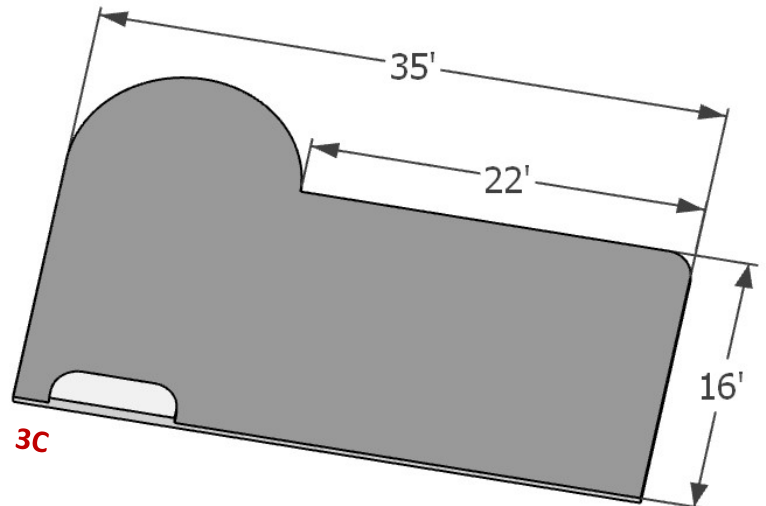
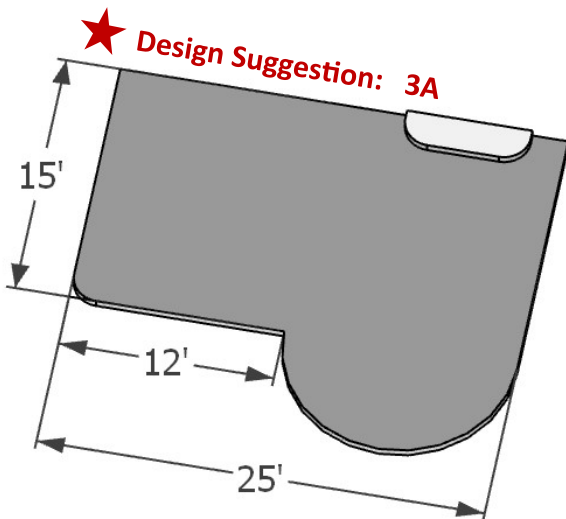
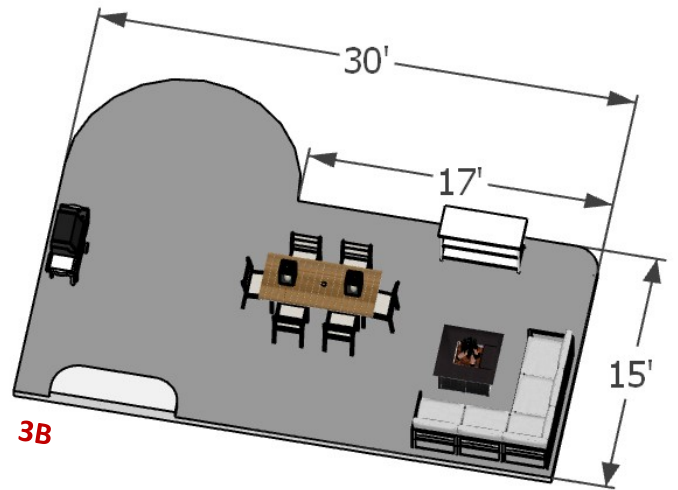
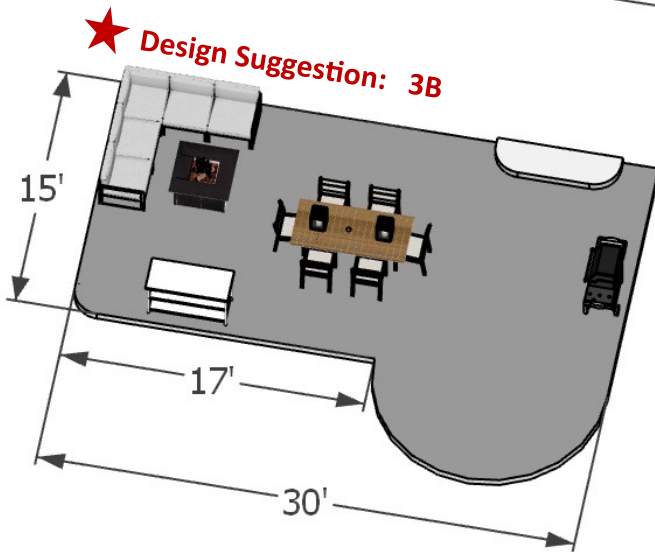
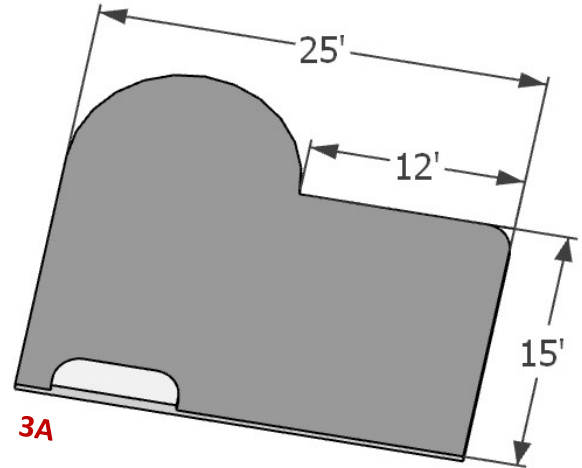
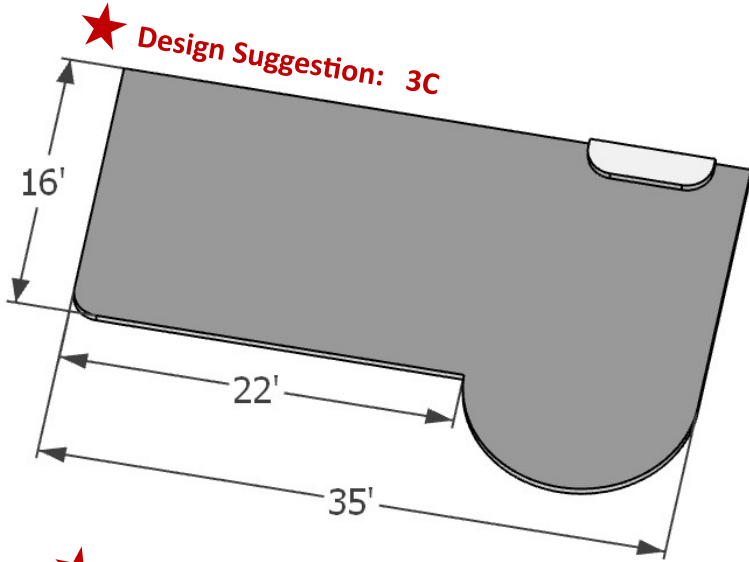
★ Design Suggestion: 1B

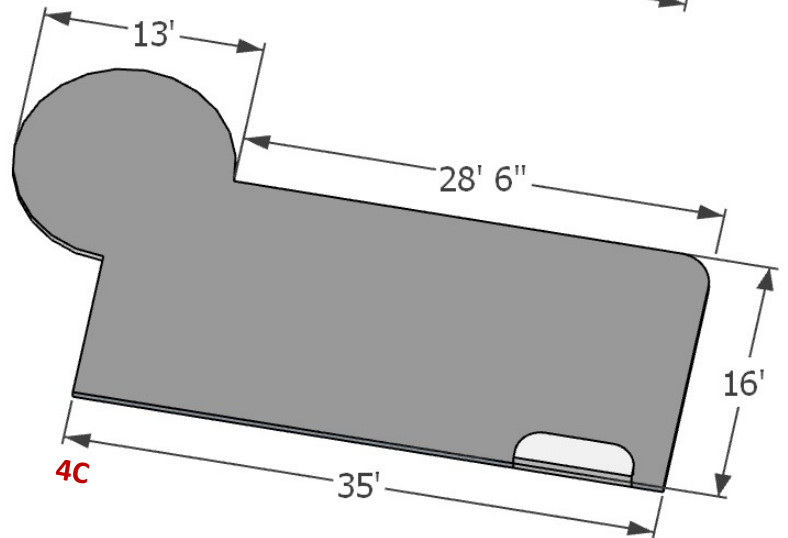
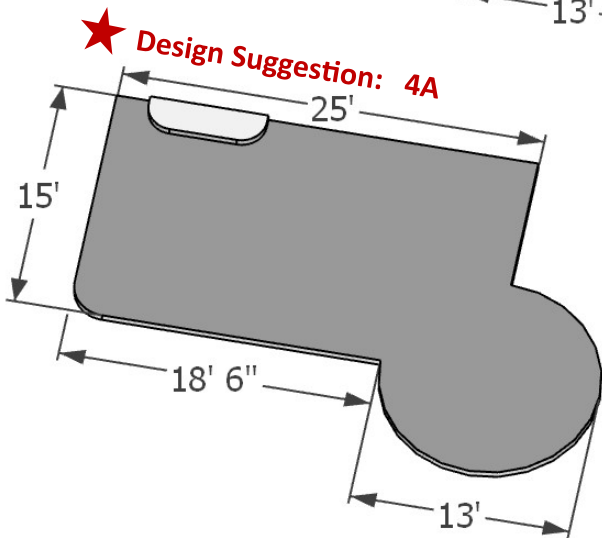
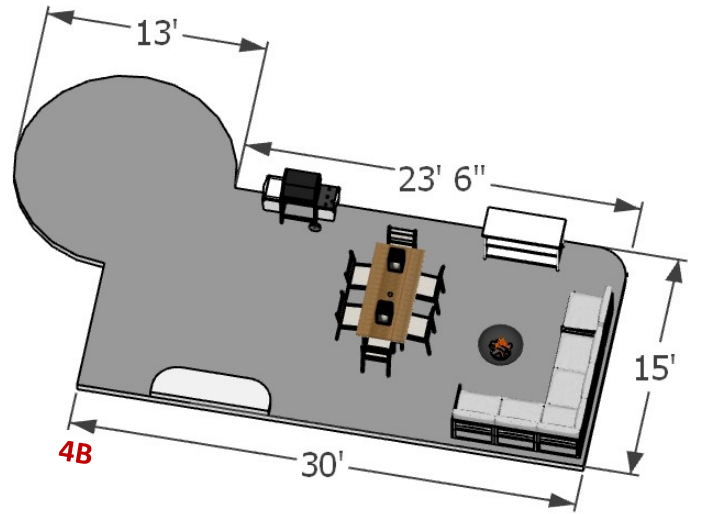
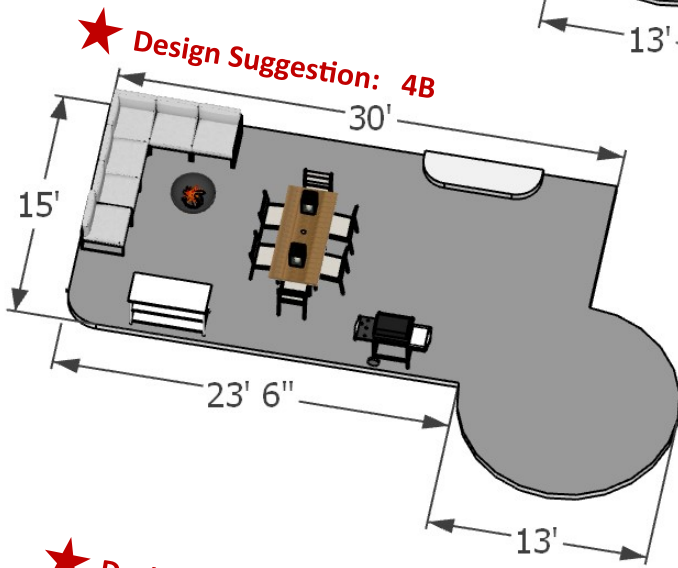
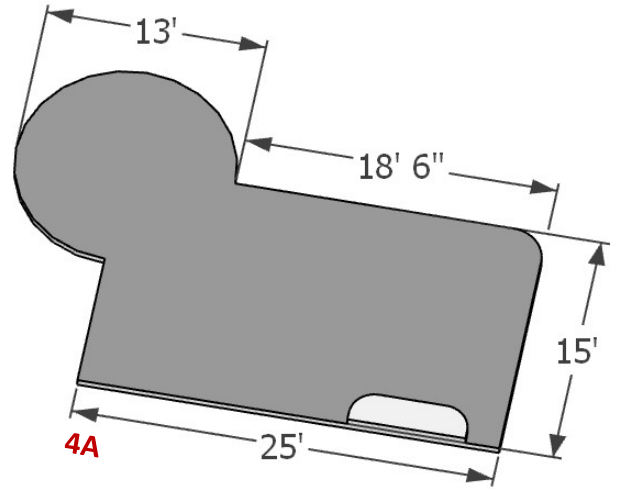
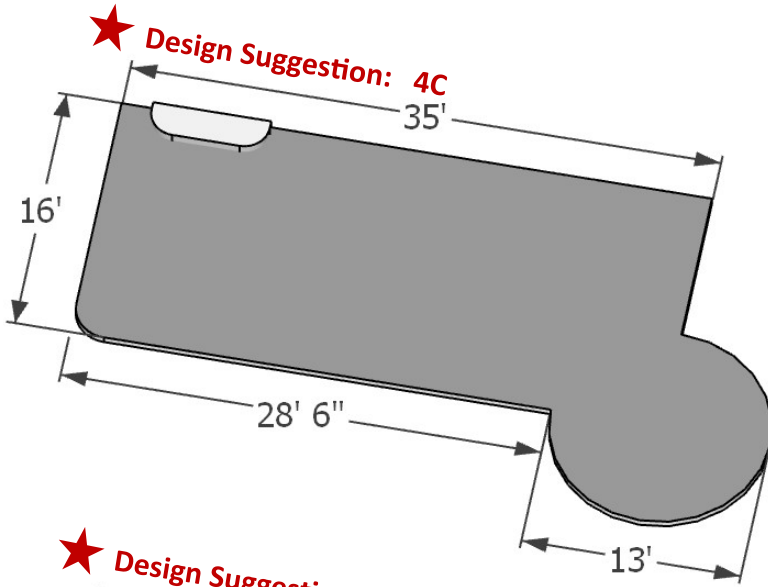


★ Design Suggestion: 1A





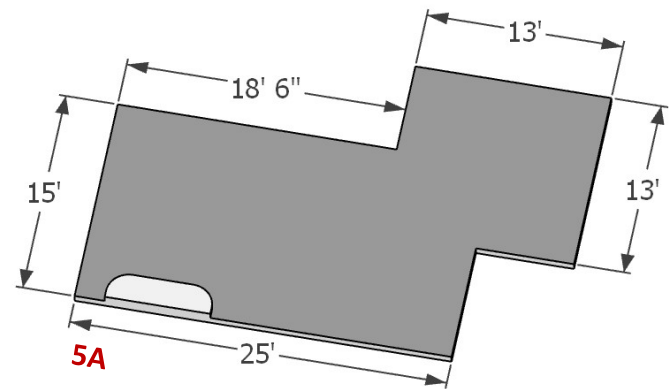
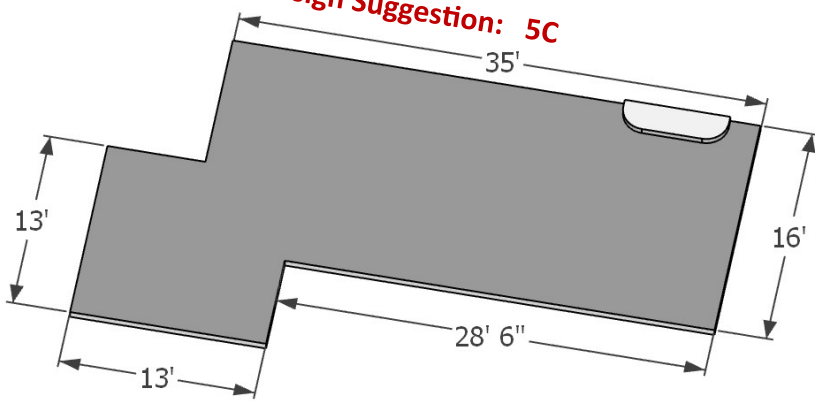




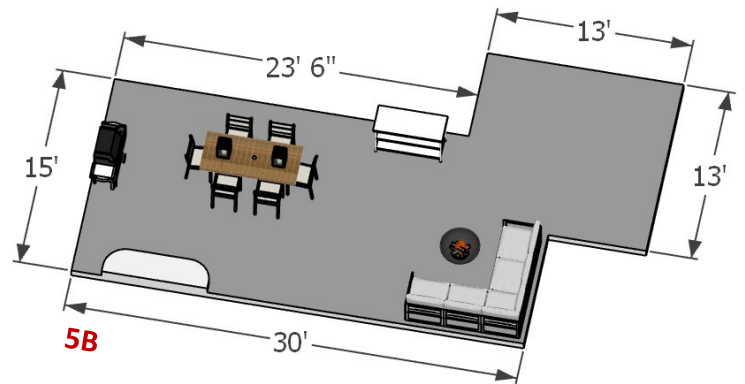
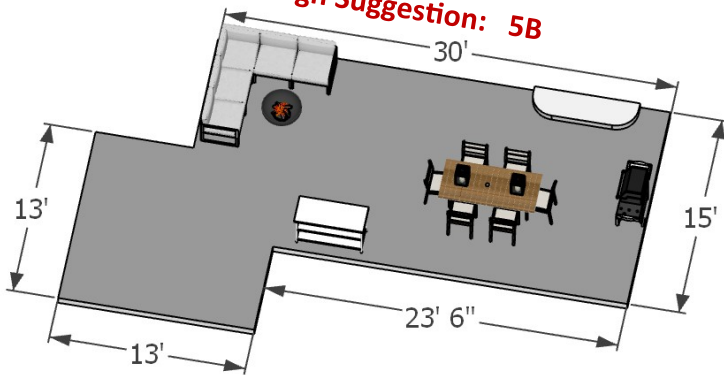
-Screenshot your favorites

-Pinch to zoom

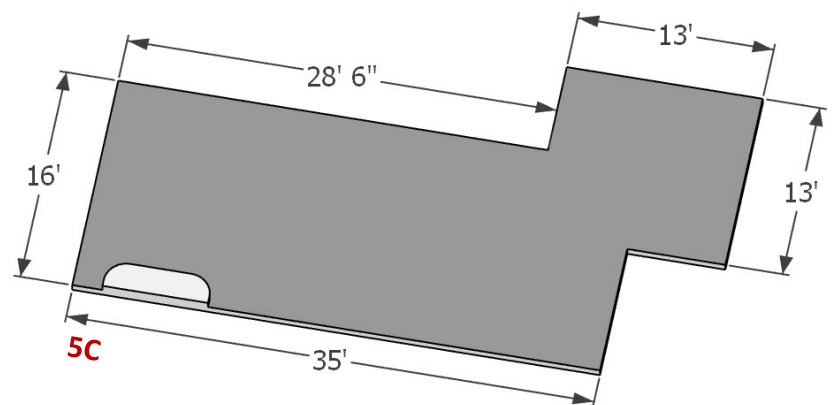
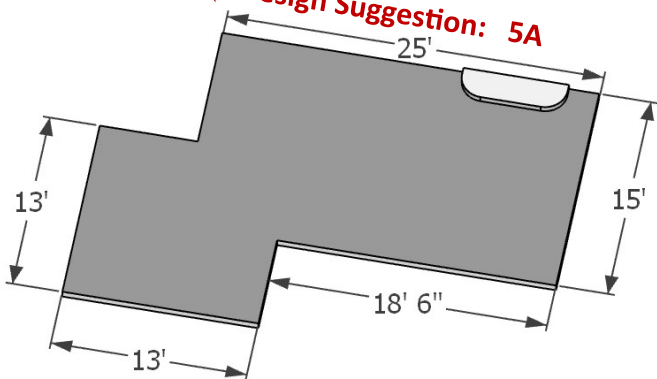
★ Design Suggestion: 5C



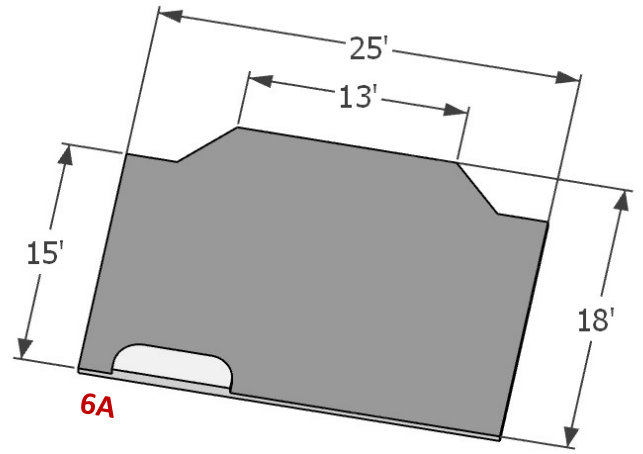
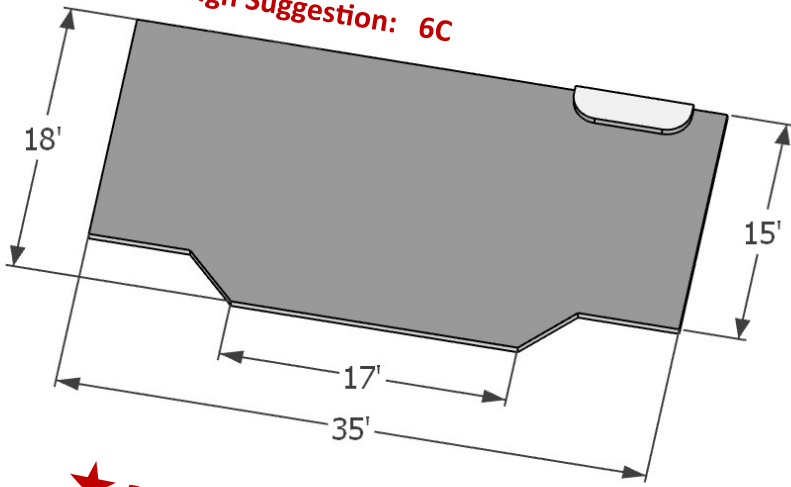
★ Design Suggestion: 5B



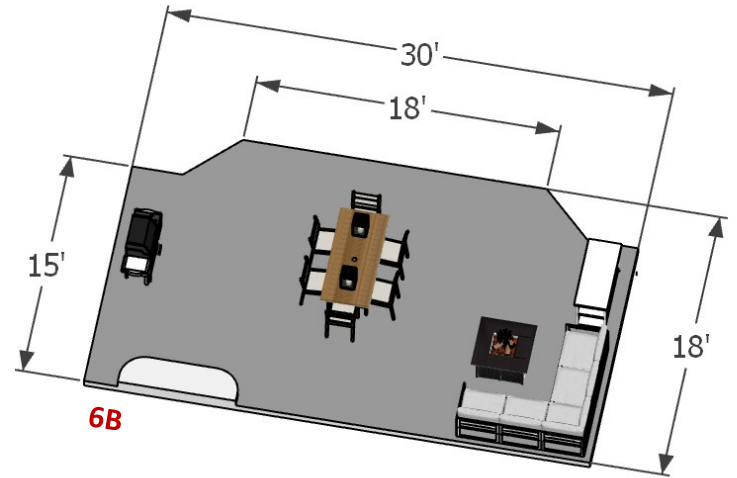
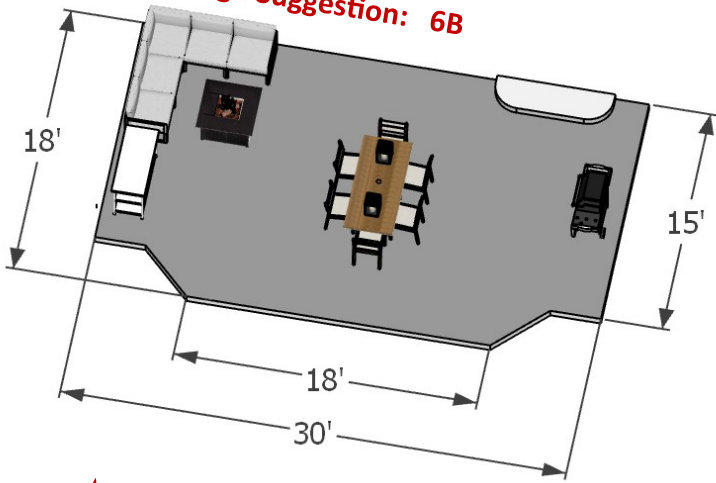
★ Design Suggestion: 5A



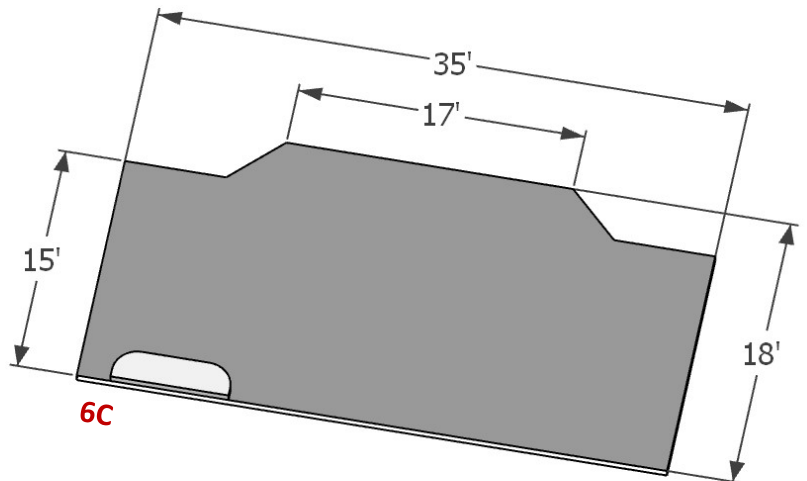
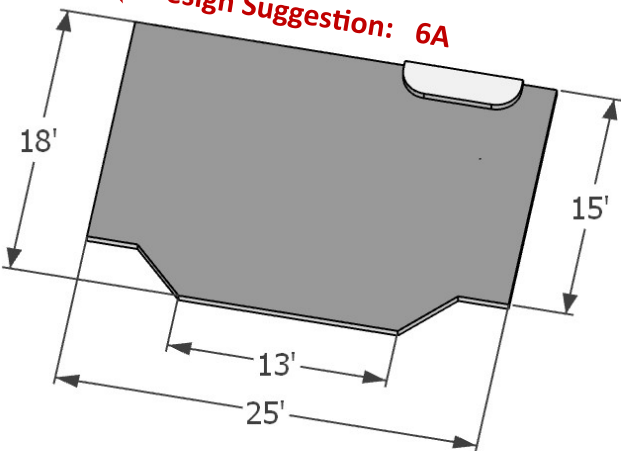
★ Design Suggestion: 6C



★ Design Suggestion: 6B

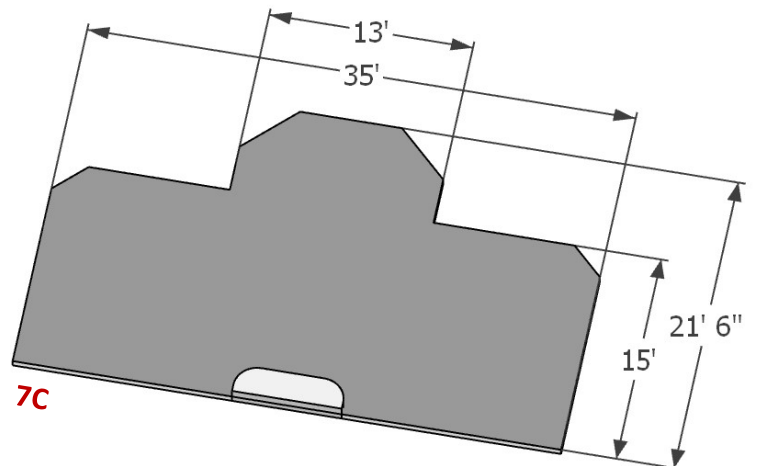
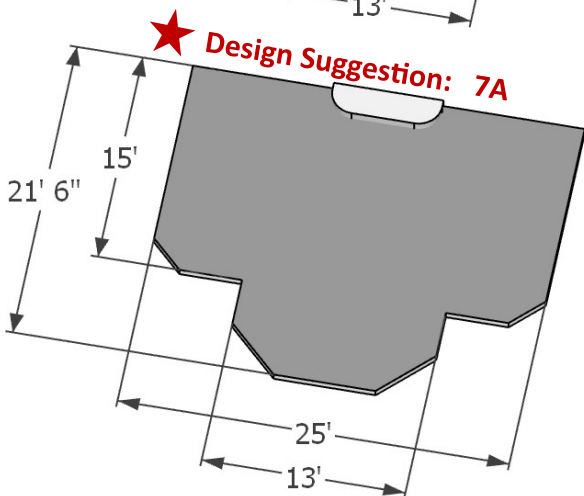
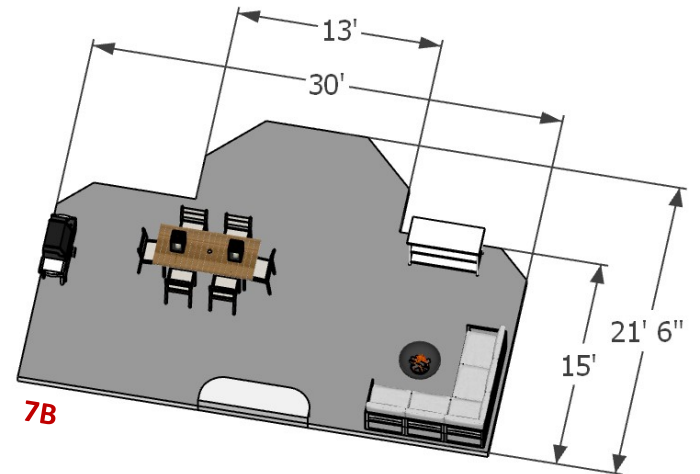
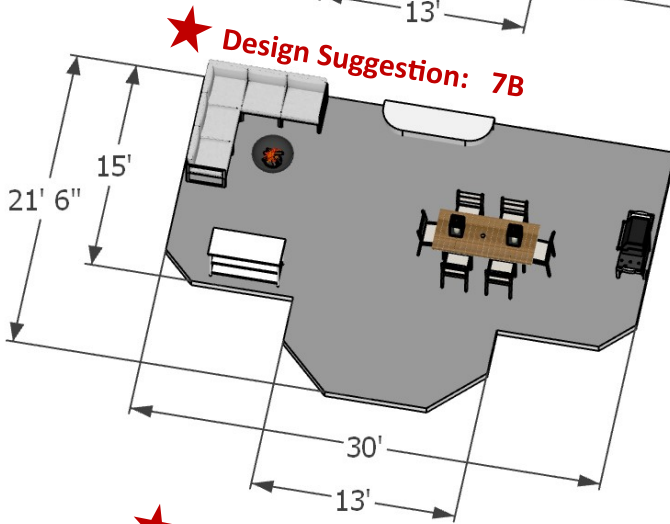
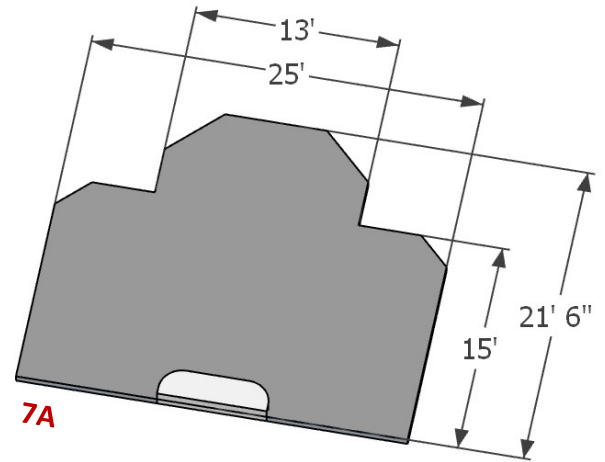
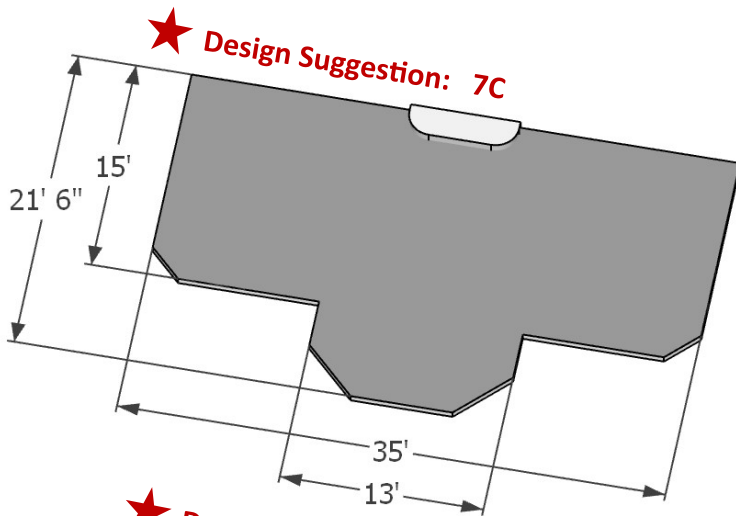


★ Design Suggestion: 6A

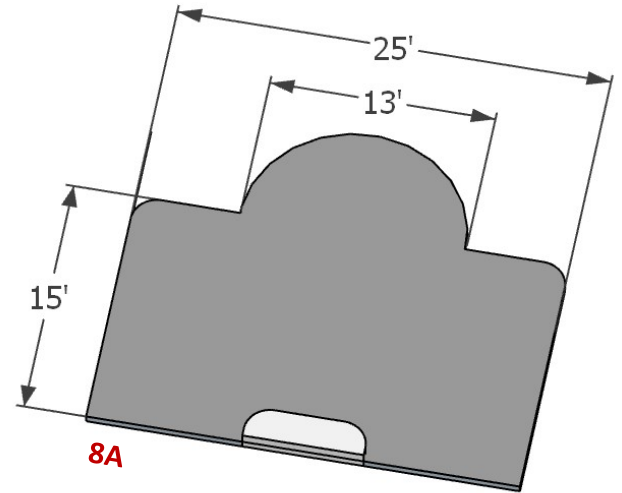
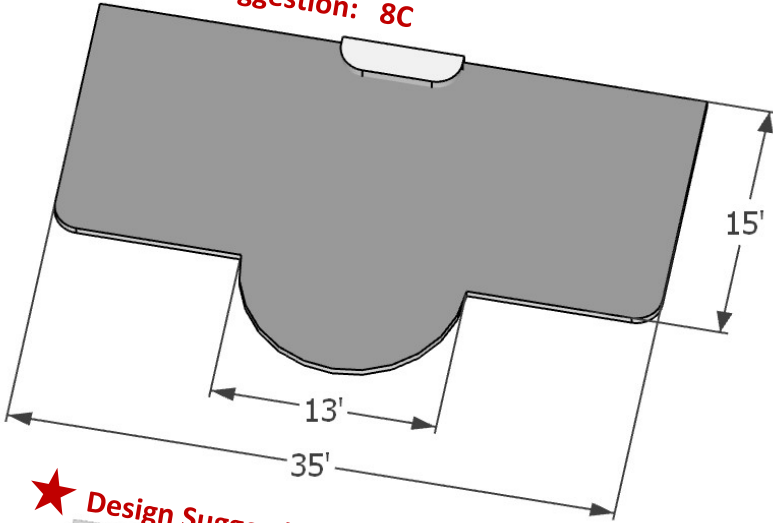


-Screenshot your favorites

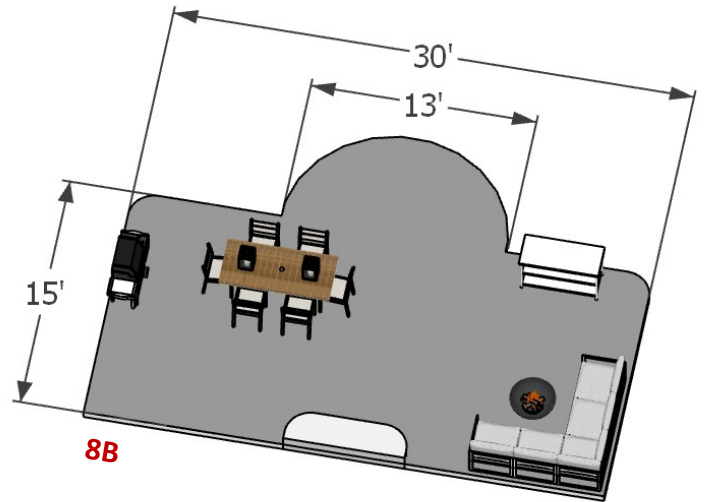
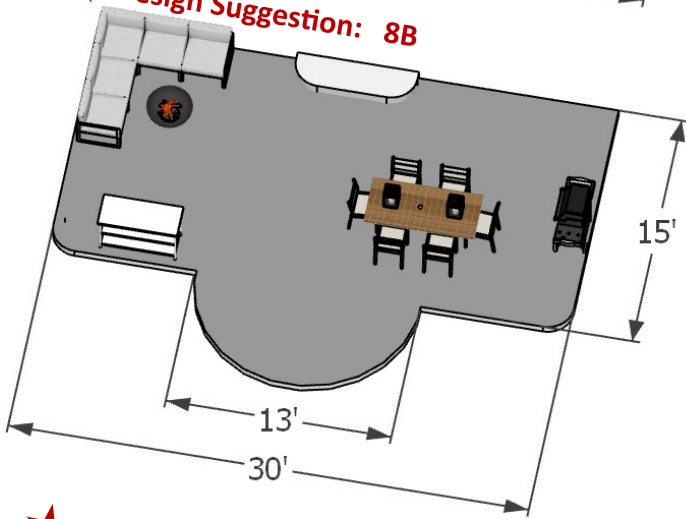
-Pinch to zoom



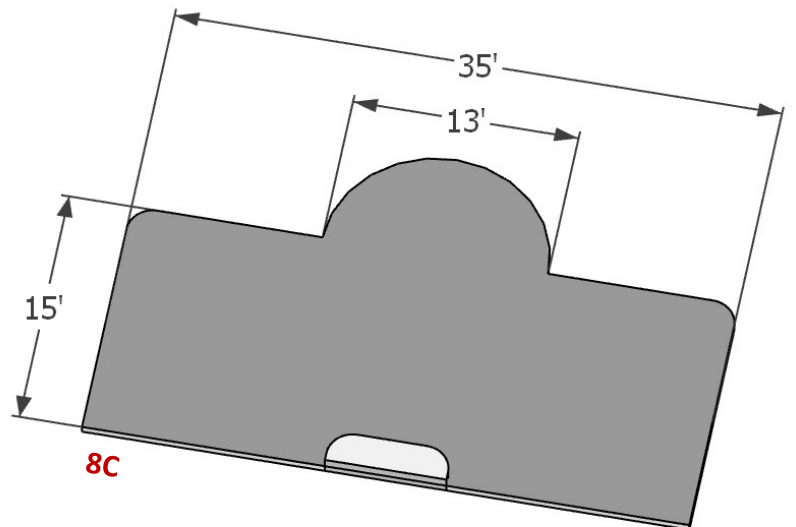
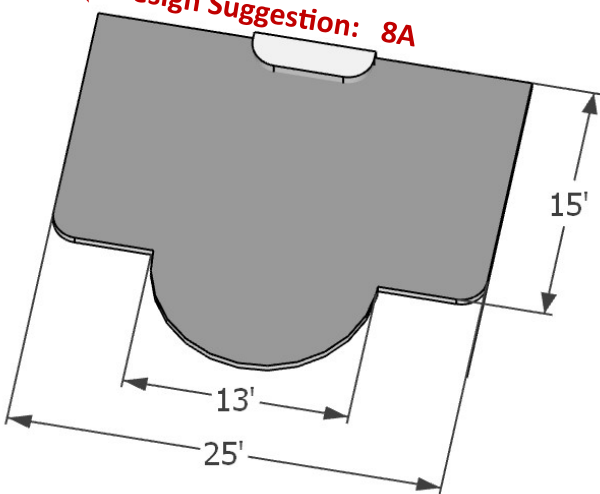
★ Design Suggestion: 8C



★ Design Suggestion: 8B

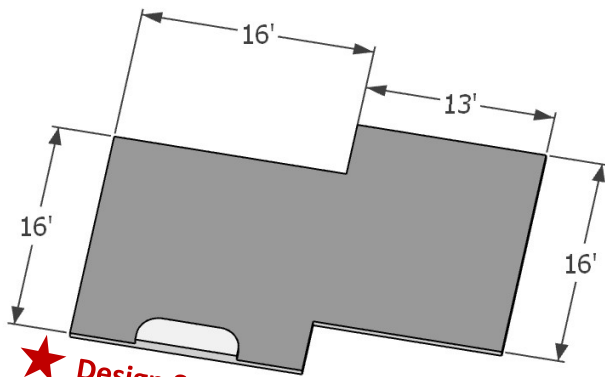


★ Design Suggestion: 8A

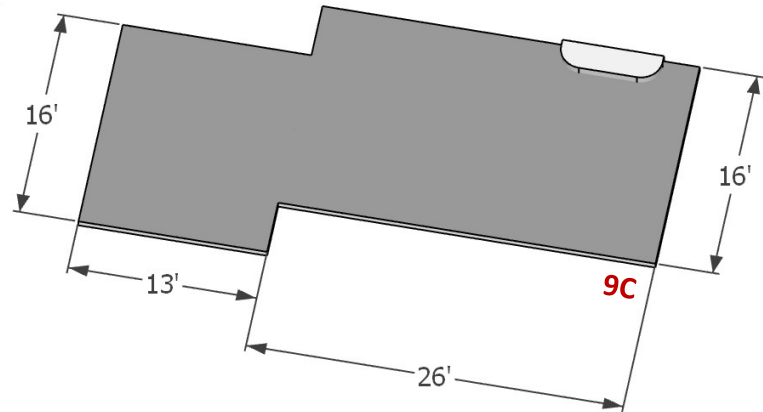


-Screenshot your favorites

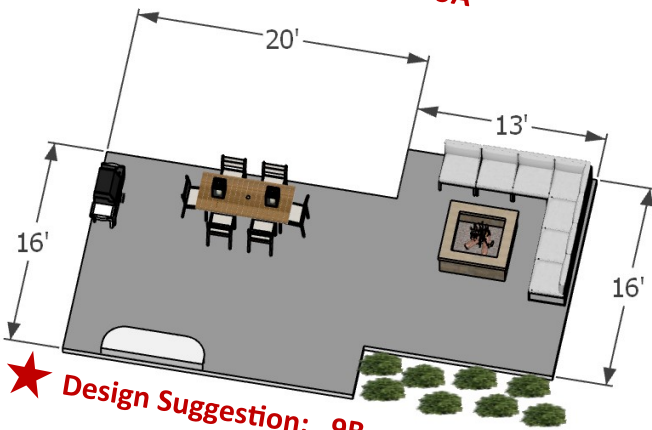
-Pinch to zoom



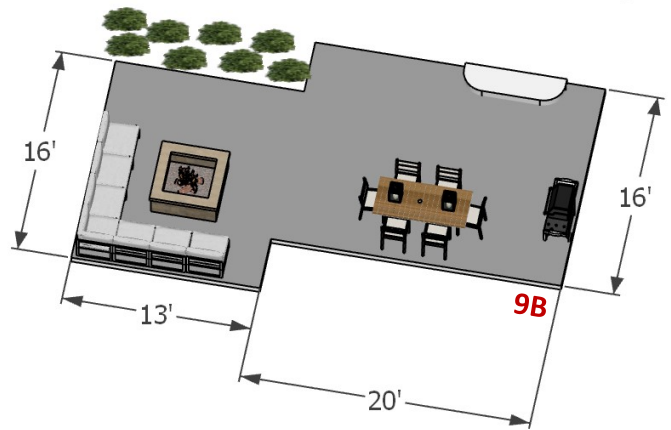
★ Design Suggestion: 9A



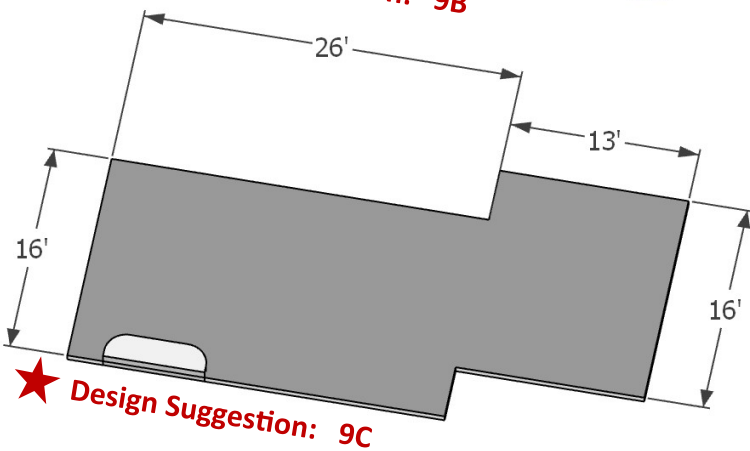
9C



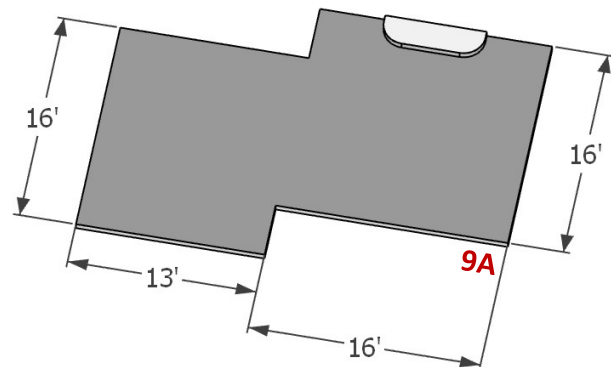
★ Design Suggestion: 9B



9B



★ Design Suggestion: 9C

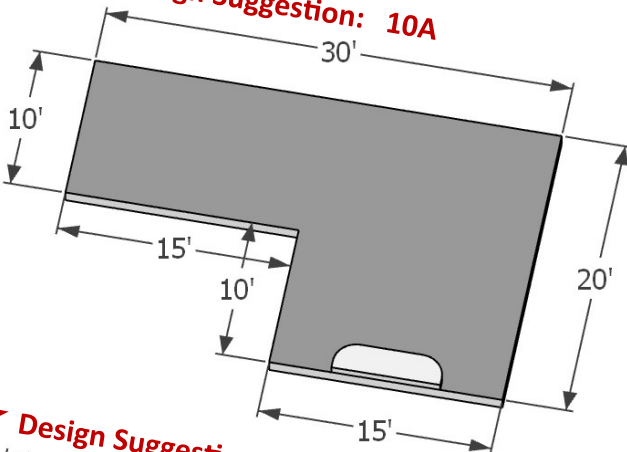


9A

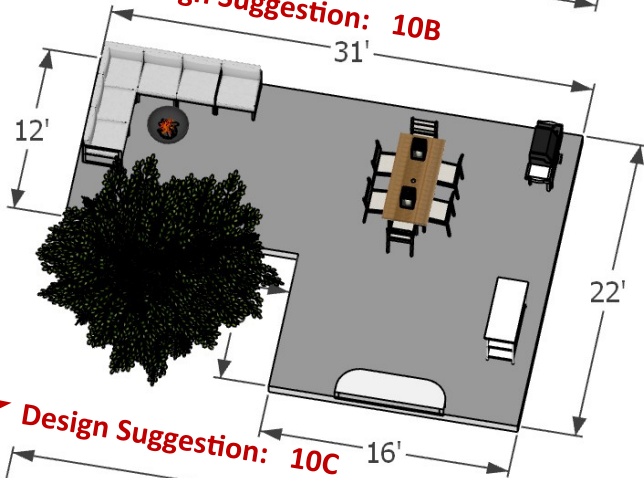
-Screenshot your favorites

-Pinch to zoom

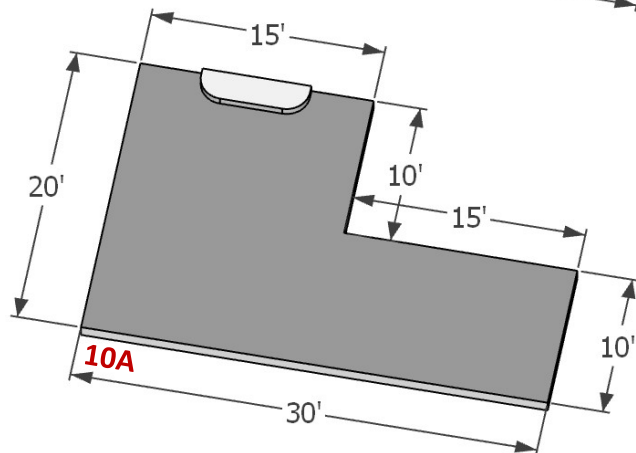
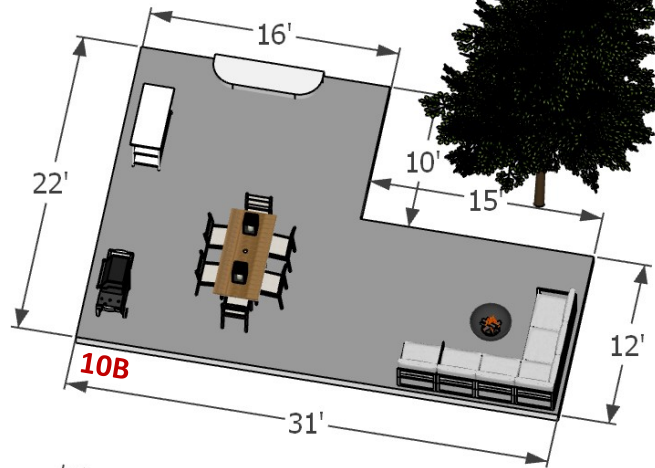
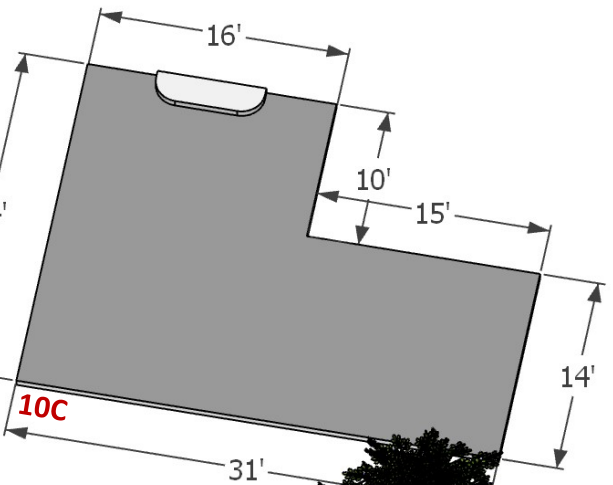
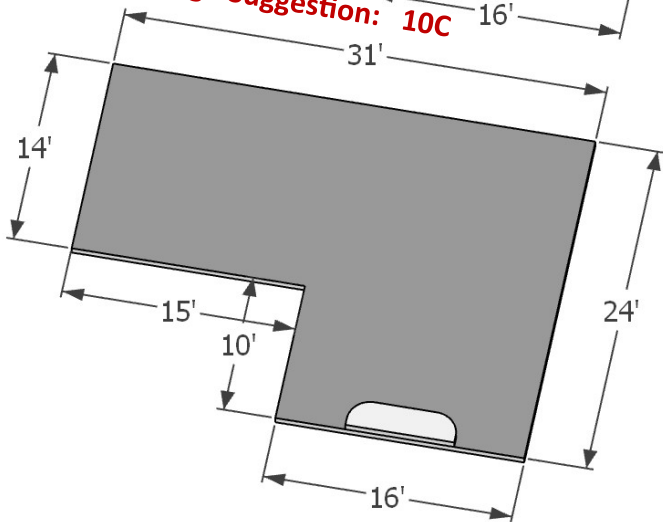
★ Design Suggestion: 10A



★ Design Suggestion: 10B

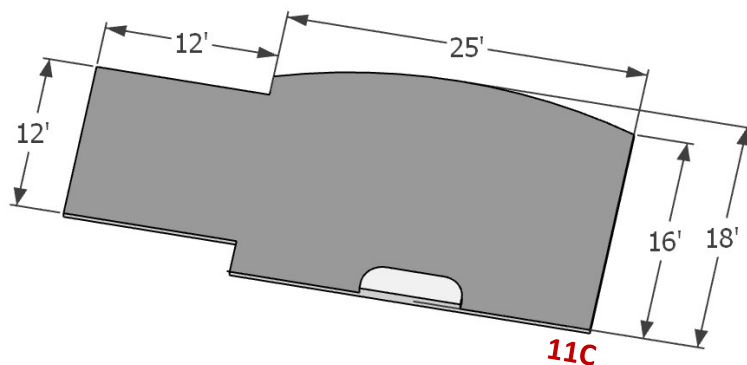
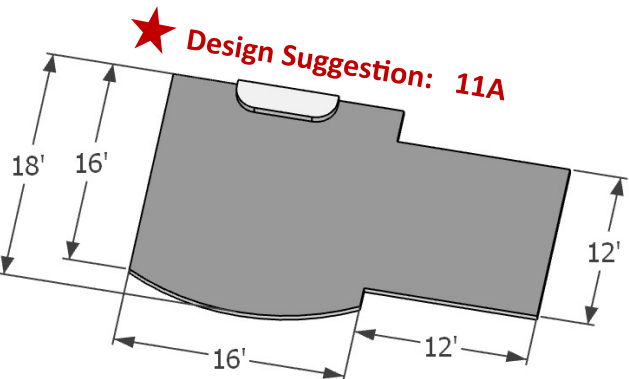
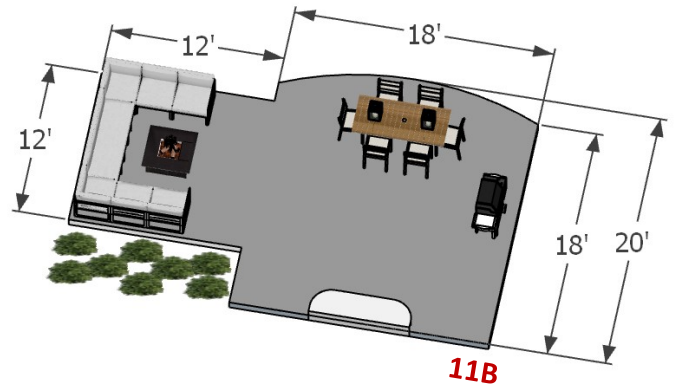
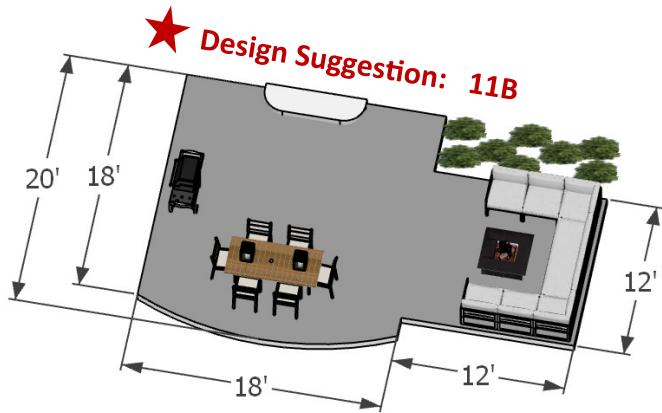
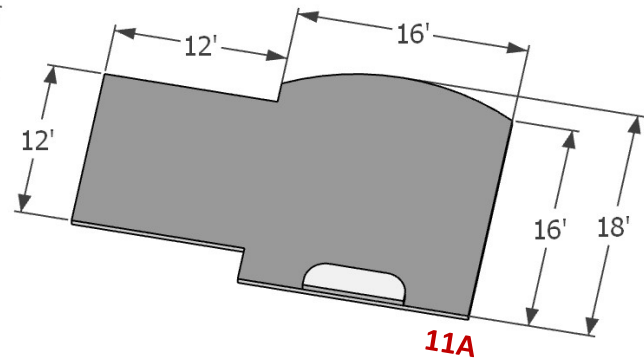
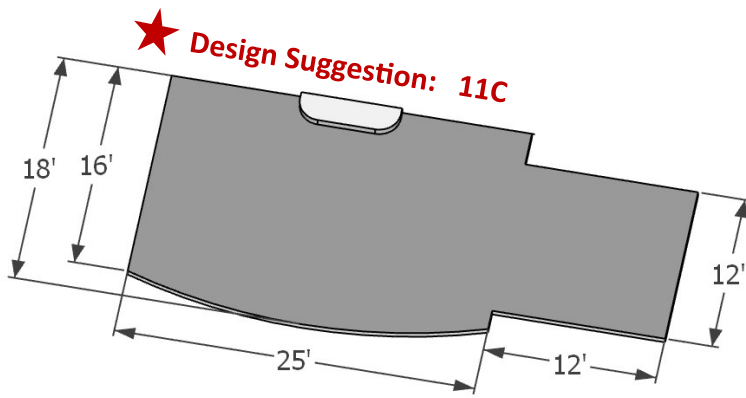


★ Design Suggestion: 10C



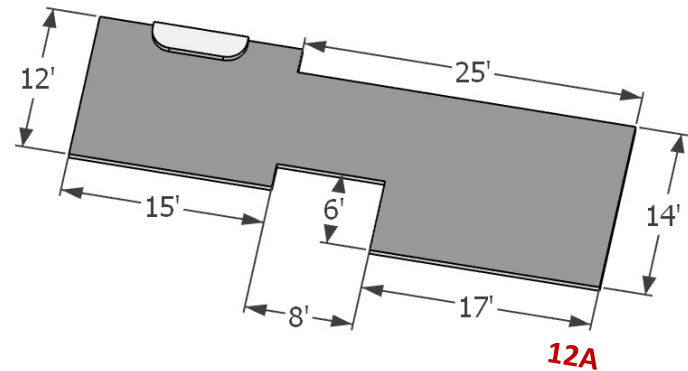
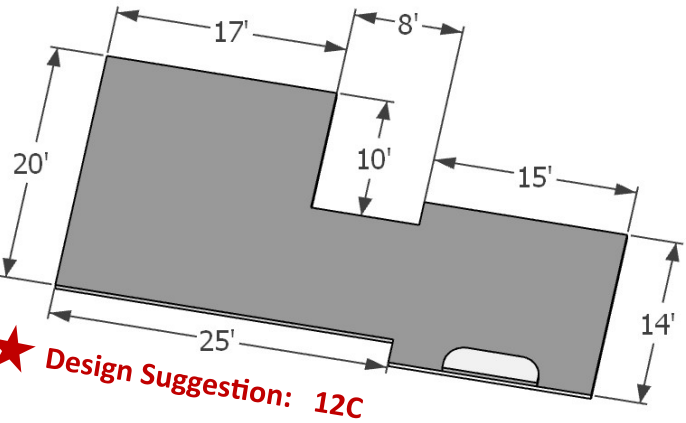
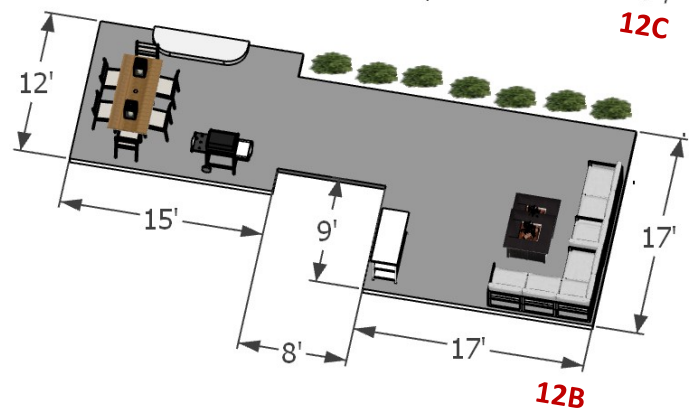
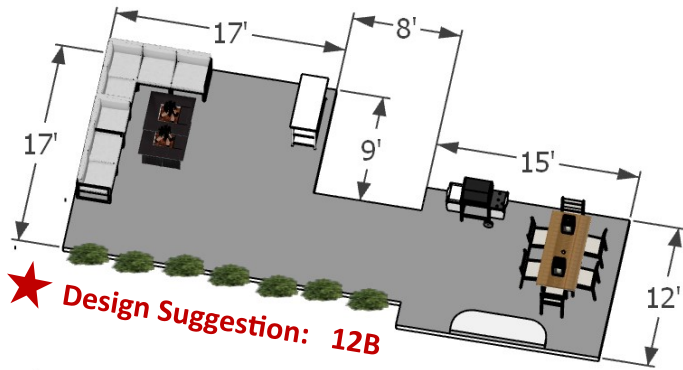
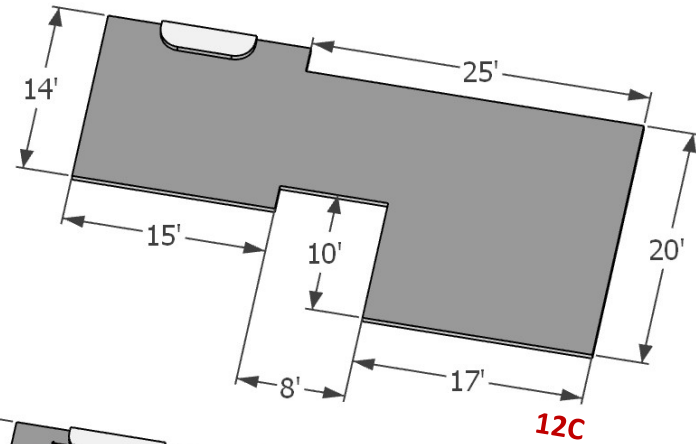
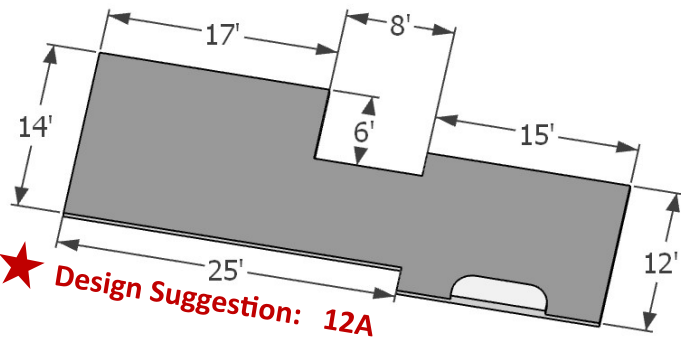
-Screenshot your favorites

-Pinch to zoom



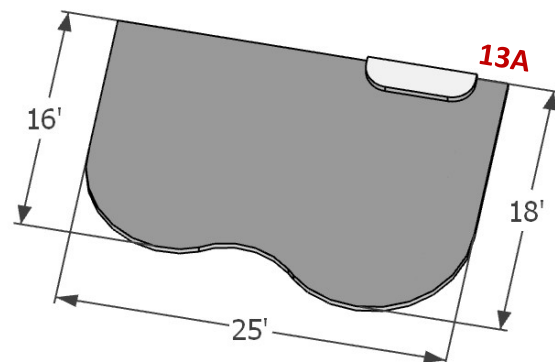
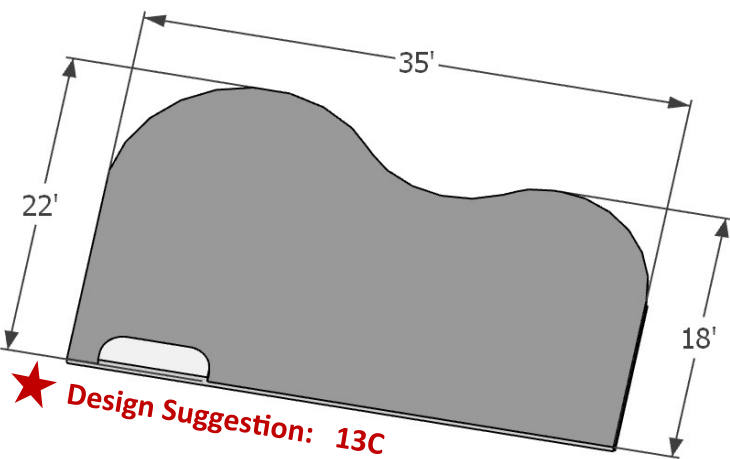
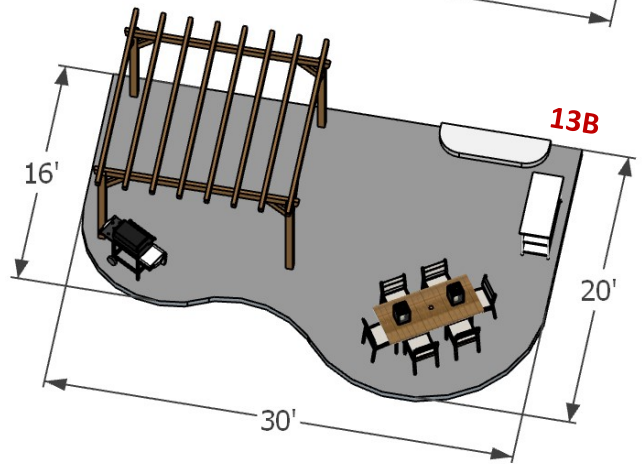
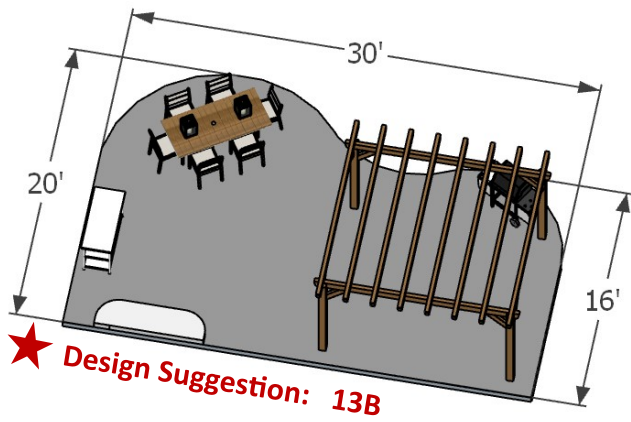
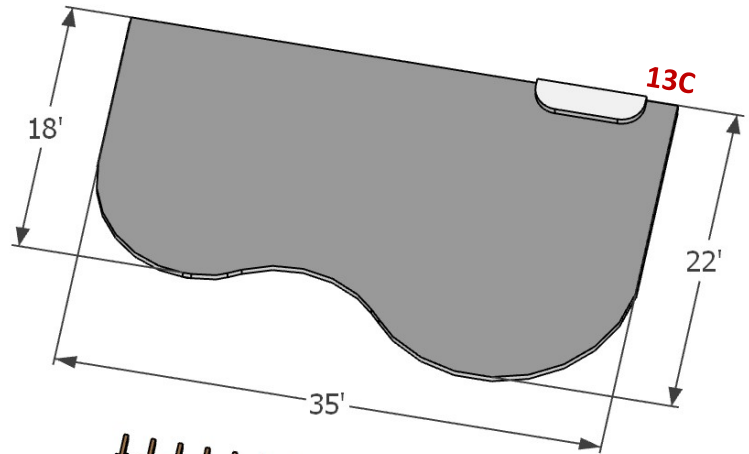
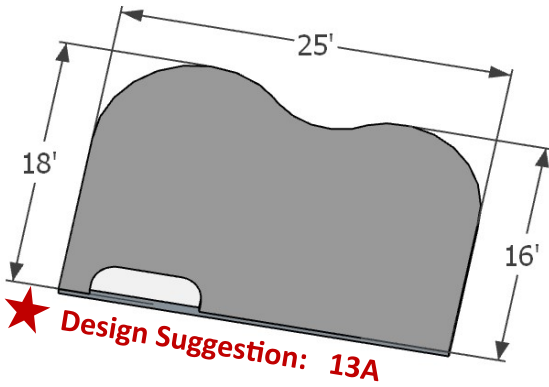
-Screenshot your favorites

-Pinch to zoom



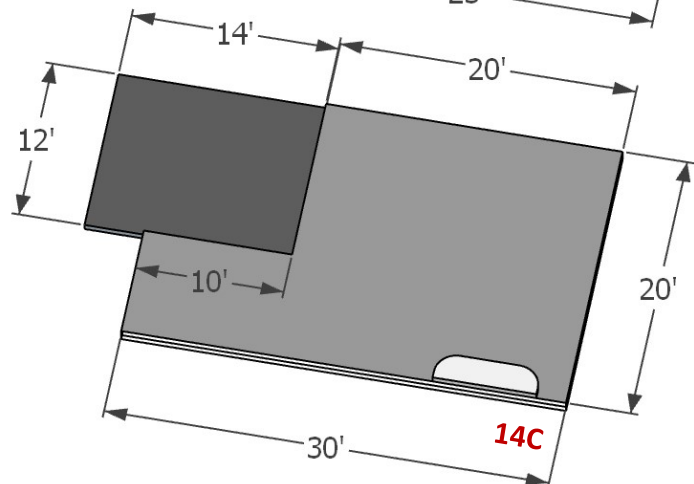
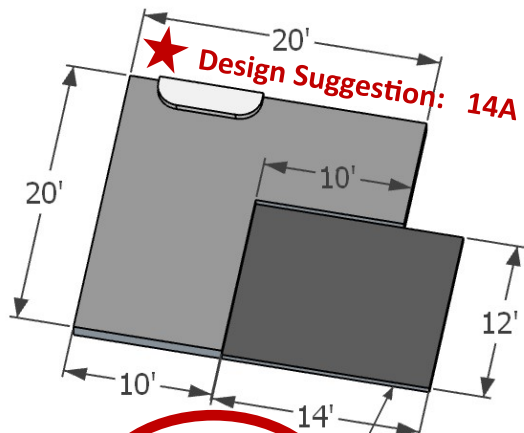
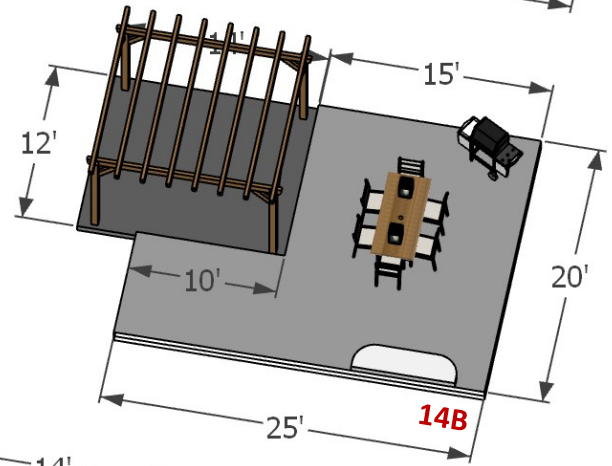
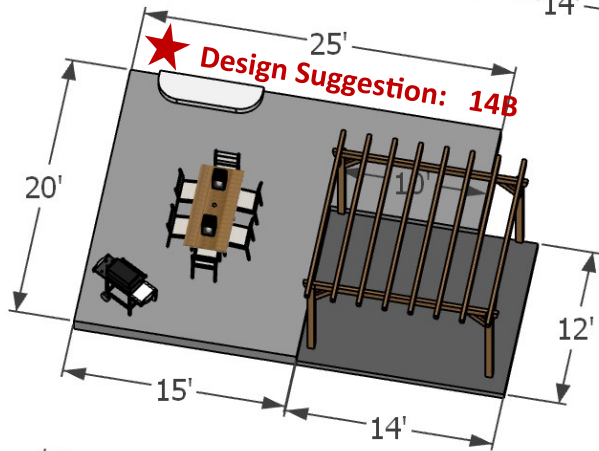
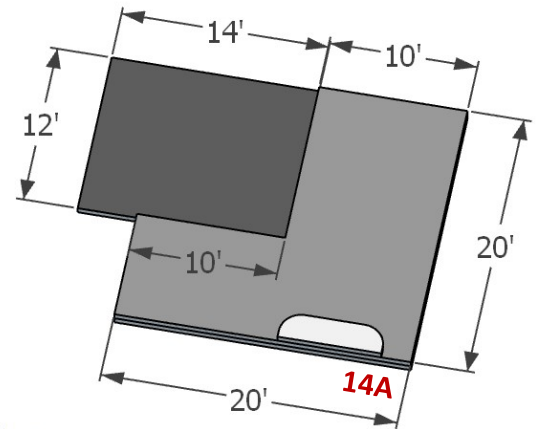
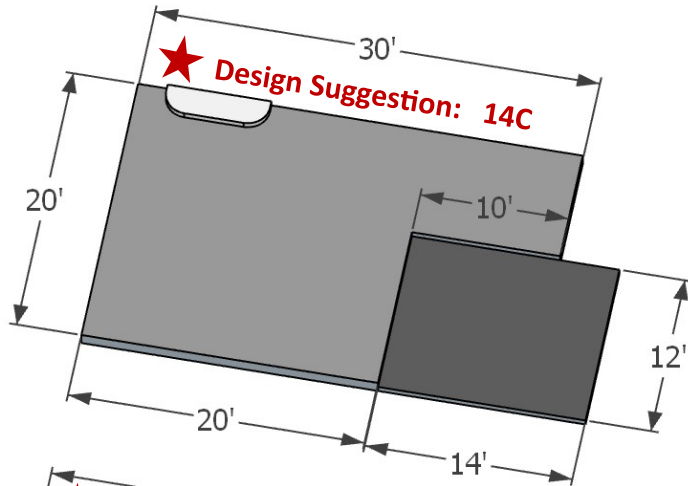
-Screenshot your favorites

-Pinch to zoom

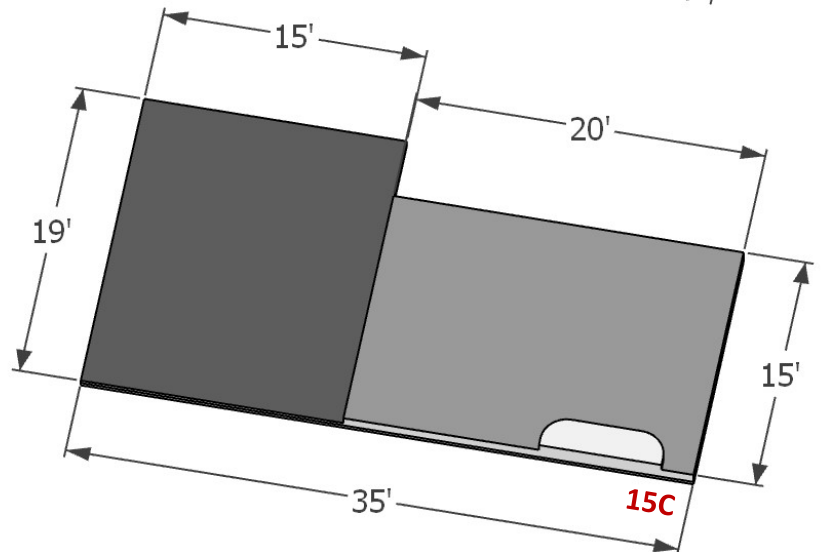
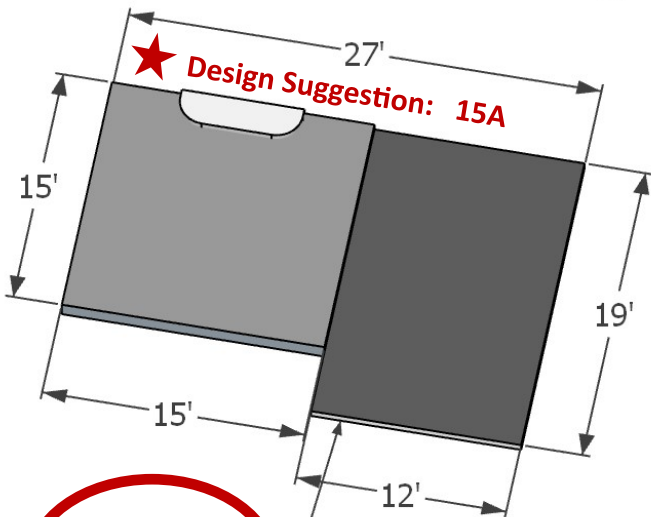
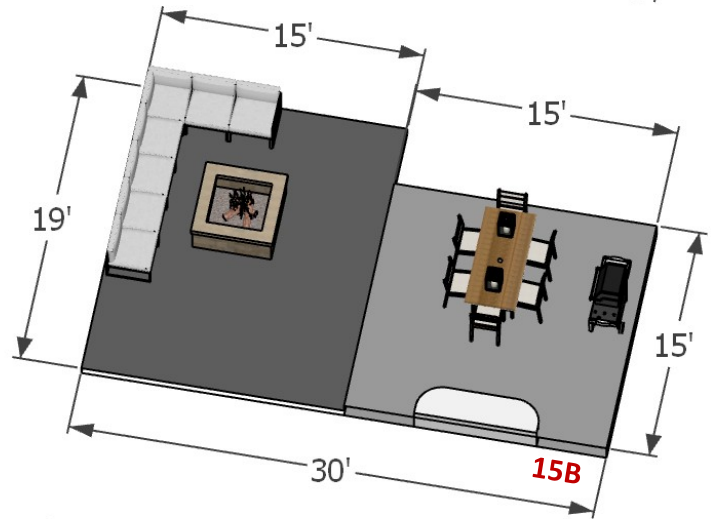
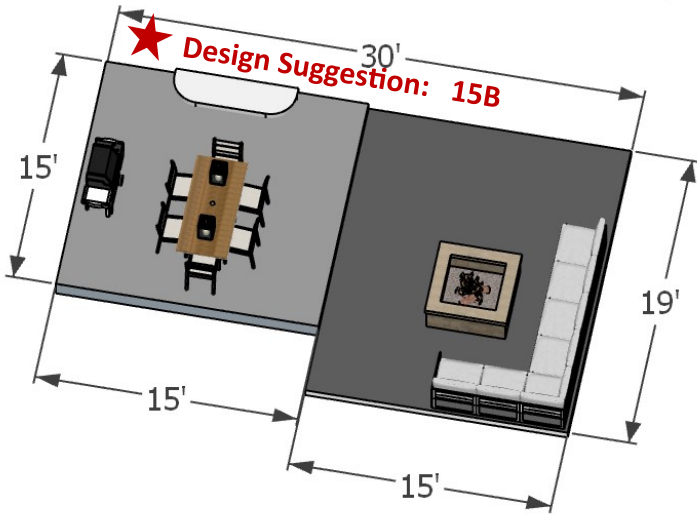
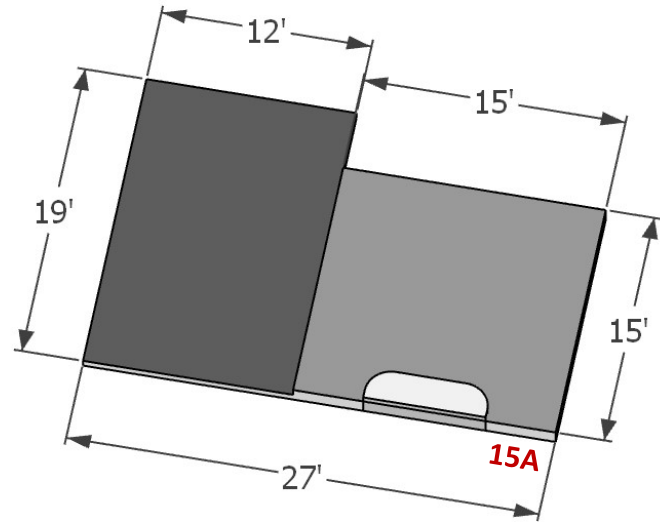
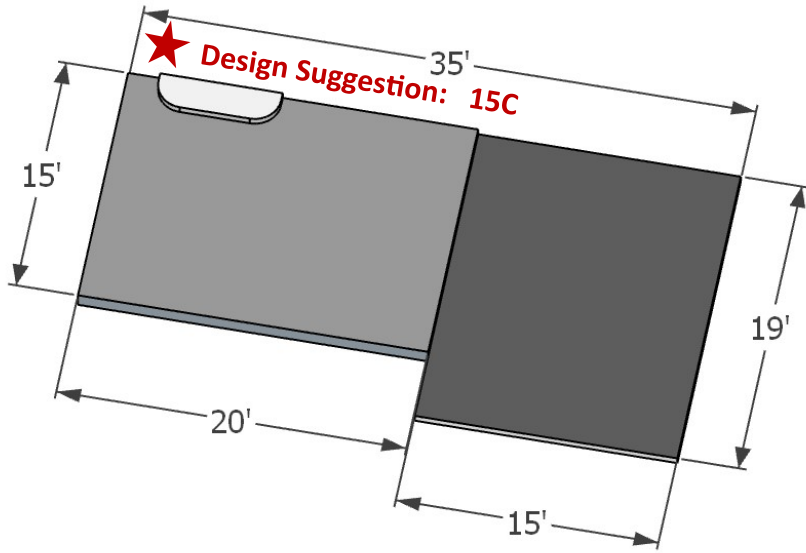


-Screenshot your favorites

-Pinch to zoom



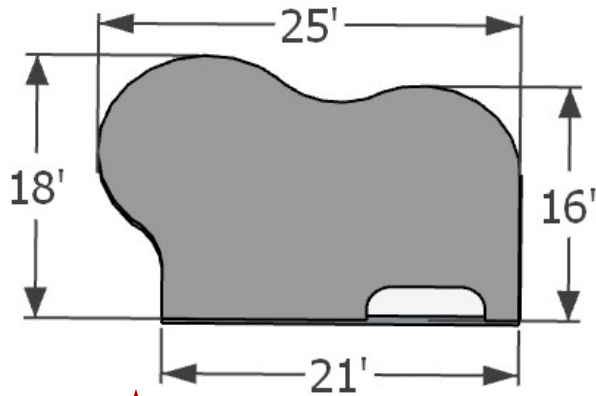
Step down/
Lower section



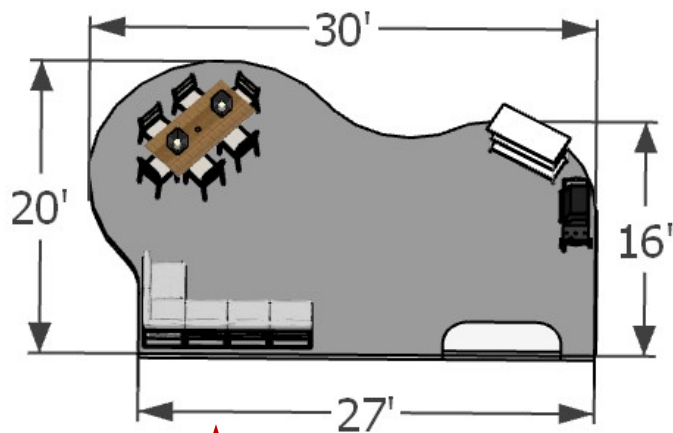
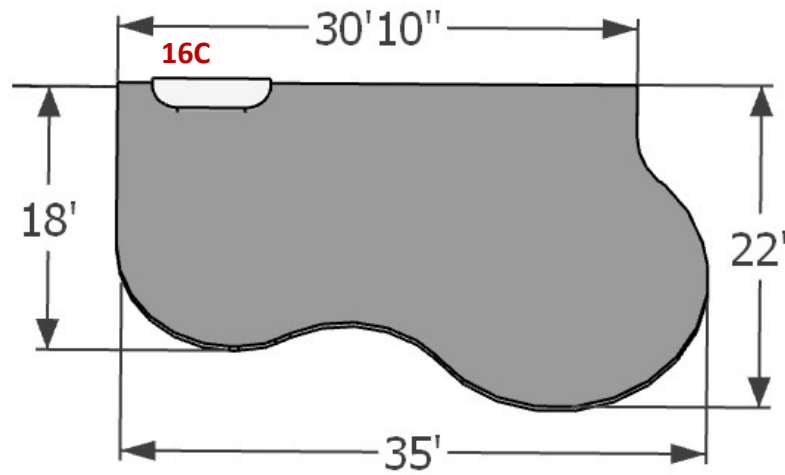
Step down/
Lower section

-Screenshot your favorites

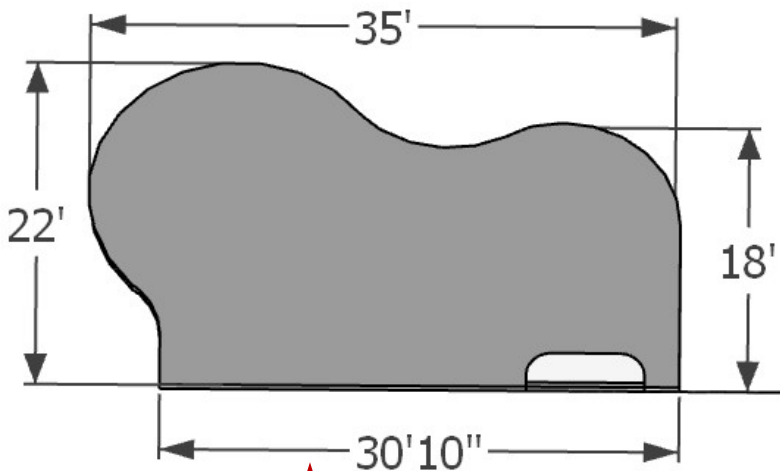
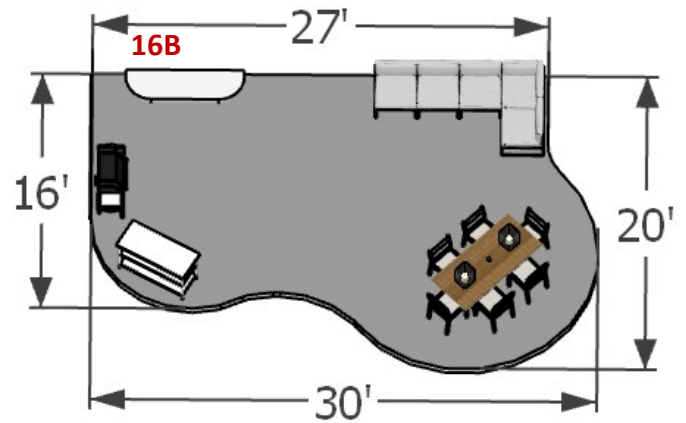
-Pinch to zoom



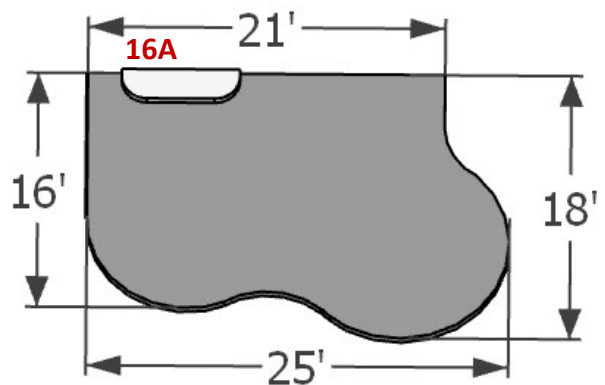
★ Design Suggestion: 16A



★ Design Suggestion: 16B



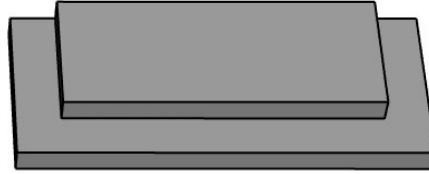
★ Design Suggestion: 16C



★ Design Suggestion: S1



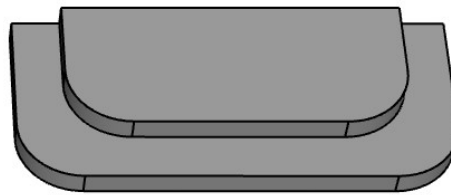
★ Design Suggestion: S6



★ Design Suggestion: S2



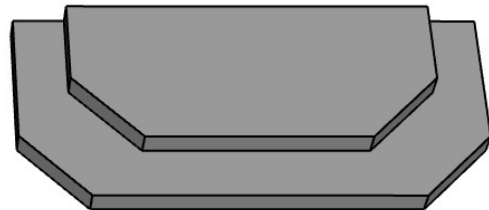
★ Design Suggestion: S7



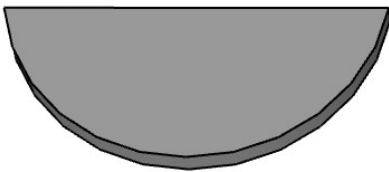
★ Design Suggestion: S3



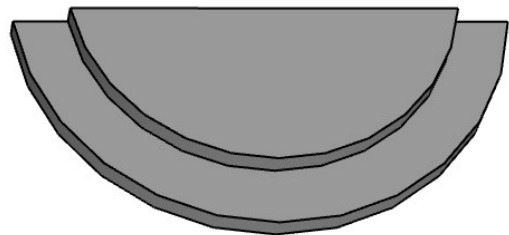
★ Design Suggestion: S8



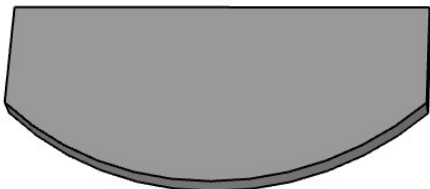
★ Design Suggestion: S4



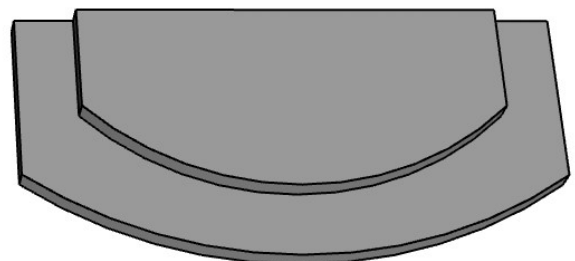
★ Design Suggestion: S10



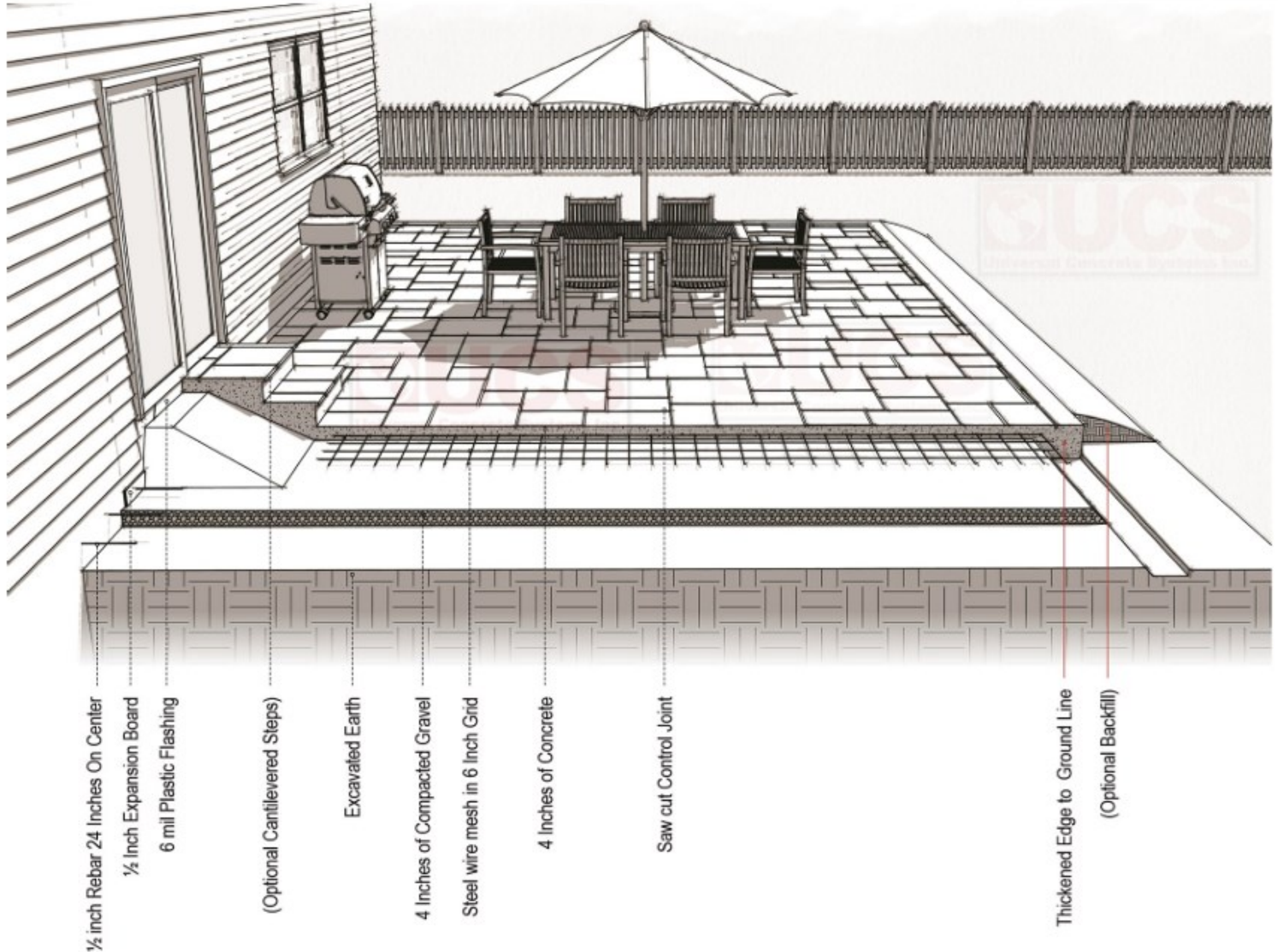
★ Design Suggestion: S4



★ Design Suggestion: S11



CROSS SECTION



MATERIAL SPECIFICATIONS

CONCRETE - UCS Inc, uses a proprietary concrete mix that is rated at a compressive strength of 4,000 psi and contains 6% air entrainment for protection against freeze-thaw cycles.

GRAVEL - Most concrete projects use CA-6 gravel that contains 3/4 inch stone mixed with fine and medium sand. Where drainage is a concern, some municipalities require the strict use of clean 3/4 inch gravel.

WIRE MESH - 6-inch X 6-inch grid of 10-gauge steel wire mesh is suspended near the bottom of the slab to prevent separation of the concrete slab.

REBAR - 1/2 inch rebar is used in patios and driveways pinned to the foundation to prevent sinking of the concrete slab.

FLASHING - 6 mil polyethylene flashing is used to cover and existing organic surfaces that are to make contact with the new concrete.

CONTROL JOINTS - Control joints are used to control cracking due to the expansion and contraction of concrete. For both broom finish concrete and stamped concrete, the control joints are cut with a concrete saw.



**IMAGINE OUR NEW PATIO
AND UCS GETS THE PERMITS**

**EXPLORE
ADDITIONAL
IMAGES IN
THE OTHER
PDF**

PRICING CHART

Design	Regular	Stamped
1A	5,599	7,488
1B	6,744	8,984
1C	8,891	11,868
2A	6,629	8,839
2B	7,964	10,595
2C	9,791	12,978
3A	6,588	8,788
3B	7,749	10,338
3C	9,188	12,278
4A	7,077	9,458
4B	8,188	10,958
4C	9,869	13,158
5A	7,530	10,038
5B	8,649	11,538
5C	10,288	13,738
6A	6,339	8,458
6B	7,695	10,258
6C	8,775	11,688
7A	6,975	8,888
7B	8,088	10,388
7C	9,225	11,988
8A	6,588	8,788
8B	7,725	10,288
8C	8,849	11,788

Design	Regular	Stamped
9A	6,960	10,868
9B	7,920	12,436
9C	9,360	14,788
10A	6,750	10,525
10B	7,980	12,534
10C	8,910	14,053
11A	6615	9,815
11B	7680	11,554
11C	8955	13,637
12A	7530	11,288
12B	8295	12,559
12C	9750	14,935
13A	6170	9,251
13B	7775	11,873
13C	9920	15,376
14A	7920	10,476
14B	9420	12,926
14C	10920	15,376
15A	7995	10,588
15B	8850	11,995
15C	9975	13,833
16A	5850	8,565
16B	7530	11,288
16C	9540	14,592

VERY IMPORTANT: The pricing information shown is very accurate however can vary depending on many different variables including the location, access to project, Demolition of existing materials / Disposal, Ground level, Underground drains, Design complexity and more. (There is a lot of different details that make individual projects unique, but we will go over these with you in person)

VERY IMPORTANT: The patio designs in this catalog are only suggestions, UCS will work with you to make modifications or create a completely new design if requested.